

MCS

DYEING & FINISHING MACHINERY



SAMPLE

HT ROPE DYEING MACHINE



OUR HISTORY

DYEING & FINISHING MACHINERY

MCS

MCS & TERMO INNOVATION ZONE

BLUE
AREA

COMMISSION ECO-DYEHOUSE

EUROPIZZI

AUTOMATION & SOFTWARE

Termo
elettronica



mcsgroup.it
Bergamo - Italy

member of
AGIAT
ITALIAN TEXTILE MACHINERY

MCS spa, since 1963, develops, manufactures and installs discontinuous dyeing machines and washing & preparation lines

2023 ITMA - Milan

MCS exhibits:

- Multiwash-M,
- Comby Jigger-C4,
- Chronoflow,
- Softflow-18

2019 ITMA - Barcellona

MCS exhibits:

- Lavaprint Next,
- Dynamica Sprint,
- Mini Jigger 98,

MCS presents:

- C4 Comby Jigger 143;
- Softflow 18-HT.

2017

MCS presents:

- Mini Jigger 98.

2015 ITMA - Milan

MCS exhibits:

- Multiwash,
- Dynamica Sprint,
- Starwash FS,
- Termopowder XP,
- Texmanager XP,
- Termochem XP.

2014 ITMA - Shanghai

MCS exhibits:

- Starwash Fast Scouring.

2013

MCS celebrate their 50 th anniversary

2011 ITMA - Barcellona

MCS exhibits:

- Dynamica,
- Star Wash,
- Comby Jigger,
- Supervisor Texmanager.

2009

MCS presents:

- Italica.

2008

MCS Re-design of all high and low temperature Jigger models.

2007 ITMA - Munich

MCS exhibits:

- Universal Dyeing,
- First Vento,
- Tumbler Mistral,
- VDA.

2005 IKME - Milan

MCS exhibits:

- Universal Dyeng, VDA.

2003 ITMA - Birmingham

MCS exhibits:

- Multiflow Superior,
- Ecoturbo Beam Dyeing Machine.

2000

MCS acquires 100% of Termoelettronica owner-ship.

1999 ITMA - Paris

MCS exhibits:

- Multiflow,
- Softflow 100 Evolution,
- Comby jigger electronic.

1995 ITMA - Milan

MCS exhibits:

- Softflow,
- Long Horn,
- Pumex

1991 ITMA - Hannover

MCS exhibits:

- Tornado Tumbler,
- Maxi & Mid jiggers,
- Lavaprint.

1987 ITMA - Paris

MCS exhibits: Pandora.

1983 ITMA - Milan

MCS exhibits:

- Tubular mercerizer MT26,
- Softflow-82 LT/HT,
- Flow/jet OF83,
- Comby Jigger HT,
- WR rope washing machine.

1980

Europea activity begins, group dyeing and resining company.

1979 ITMA - Hannover

MCS exhibits:

- Jet HT,
- Overflow MO/80 LT,
- MRS65.

1974

MCS begins the design and development of the open width lines.

1971 ITMA - Paris

MCS exhibits:

MCS exhibits the first low temperature jet model.

1968

Europizzi begins its activity

1967

MCS manufactures the first low temperature rope dyeing machine.

1964

MCS begins its activity.

1963

Gino Chiappini, Angelo Cagnazzo, founding MCS. Gino Chiappini is the Chairman of the Board.



LABORATORY HT ROPE DYEING MACHINE

MCS aprovecha los 50 años de experiencia que le han convertido en líder a nivel internacional del sector mecánico – textil con la máquina de tintura en cuerda: **SAMPLE**.

Nuestra continua investigación en el ámbito tintóreo combinada con soluciones de ingeniería innovadoras nos ha permitido desarrollar un producto de alta eficiencia energética y que optimiza los procesos de tintura.

Además de garantizar un gran rendimiento y fiabilidad, reproduce perfectamente las condiciones de proceso que se pueden encontrar en las máquinas de gran producción.

Sample está completamente diseñado y construido en MCS.

Cada nuevo modelo esta probado y expuesto, en nuestro departamento de R&D y exposicion BLUE INNOVATIVE AREA integrado en la tintorería del grupo MCS

*MCS take advantage of 50 years' experience, which made the company a leader in textile machine manufacturing, and realise a rope dyeing machine for a batches of laboratory: **SAMPLE**.*

Our research in dyeing continues and developes a combined solution meeting design innovations which brought to a high efficiency machine as far as consumptions are concerned.

Apart from being guarantee of performance and reliability, it perfectly reproduces the processing conditions of a big-size production machines.

Sample is entirely engineered and built in MCS.

Each new model is tested and exhibited, in INNOVATIVE BLUE AREA integrated in the MCS Group dyeing plant.



STORIA DELLE MACHINE DA TINTURA IN CORDA MCS

- 1967 ITMA - Paris: MCS espone el primer modelo de Jet baja temperatura
- 1979 ITMA - Hannover: MCS espone JET-HT e OVERFLOW MO/80 LT
- 1983 ITMA - Milan: MCS espone SOFTFLOW 82 HT e FLO-JET OF83 HT
- 1987 ITMA - Paris: MCS espone PANDORA HT
- 1995 ITMA - Milan: MCS espone SOFTFLOW 100 HT, LONG HORN HT.
- 1999 ITMA - Paris: MCS espone MULTIFLOW HT, SOFTFLOW 100 SUPERIOR HT
- 2000: MCS diseña la EUROFLOW LONG
- 2003 ITMA - Birmingham: MCS espone MULTIFLOW SUPERIOR.
- 2007 ITMA - Monaco: MCS espone FIRST HT
- 2011 ITMA - Barcelona: MCS espone DYNAMICA HT
- 2015 ITMA - Milan: MCS espone DYNAMICA SPRINT HT
- 2019 ITMA - Barcelona: MCS presenta SOFTFLOW 18 HT, espone DYNAMICA SPRINT HT
- 2020: MCS diseña EUROFLOW SPORT
- 2023: ITMA Milan: MCS espone CHRONOFLOW e SOFTFLOW 18 HT

ROPE DYEING MACHINE HISTORY

- 1967 ITMA - Paris: MCS exhibits: the first low temperature jet model.
- 1979 ITMA - Hannover: MCS exhibits JET-HT and OVERFLOW MO/80 LT
- 1983 ITMA - Milan: MCS exhibits SOFTFLOW 82 HT and FLO-JET OF83 HT
- 1987 ITMA - Paris: MCS exhibits PANDORA HT
- 1995 ITMA - Milan: MCS exhibits: SOFTFLOW 100 HT, LONG HORN HT.
- 1999 ITMA - Paris: MCS exhibits: MULTIFLOW HT, SOFTFLOW 100 SUPERIOR HT
- 2000 : MCS presents the EUROFLOW LONG
- 2003 ITMA - Birmingham: MCS exhibits: MULTIFLOW SUPERIOR.
- 2007 ITMA - Monaco: MCS exhibits FIRST HT
- 2011 ITMA - Barcelona: MCS exhibits DYNAMICA HT
- 2015 ITMA - Milan: MCS exhibits DYNAMICA SPRINT HT
- 2019 ITMA - Barcelona: MCS presents SOFTFLOW 18 HT, exhibits DYNAMICA SPRINT HT
- 2020 : MCS design the EUROFLOW SPORT
- 2023 ITMA Milan: MCS exhibits CHRONOFLOW and SOFTFLOW 18 HT

SAMPLE-7

LABORATORY HT ROPE DYEING MACHINE



Tobera con abertura fija

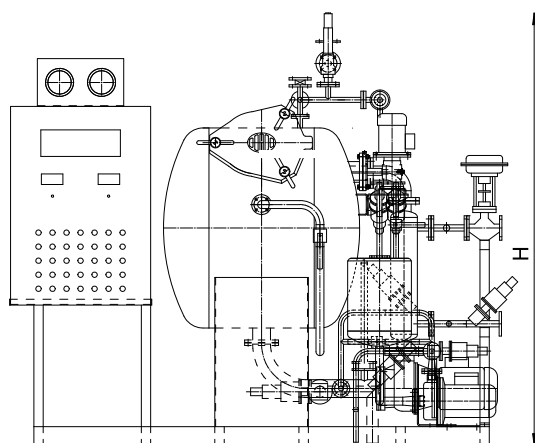
Tanque productos, con de sonda neumática de nivel y mixer

Regulación automática con pc industrial

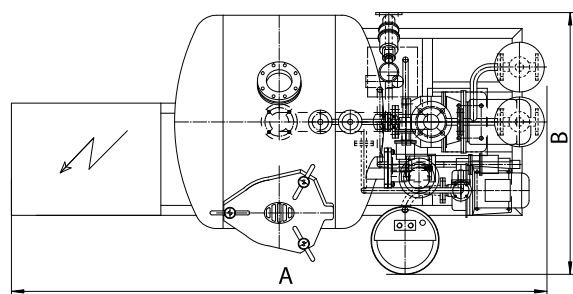
Nozzle at fixed section

One side tank with pneumatic level probes and mixer

Micro touch-screen by industrial PC



	Loading [Kg]	A [mm]	B [mm]	H [mm]
S-7	7	2150	1050	1850



SAMPLE-10

LABORATORY HT ROPE DYEING MACHINE



Tobera con abertura fija

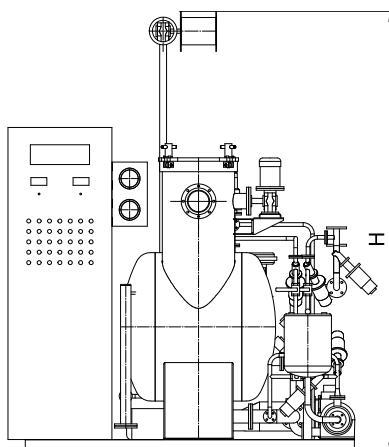
Tanque productos, con de sonda neumática de nivel y mixer

Regulación automática con pc industrial

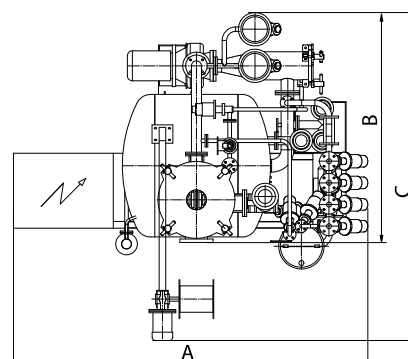
Nozzle at fixed section

One side tank with pneumatic level probes and mixer

Micro touch-screen by industrial PC



	Loading [Kg]	A [mm]	B [mm]	H [mm]
S-10	10	2130	1970	2250



FEEL THE POWER OF WATER

DYEING & FINISHING MACHINERY



MCS

Bergamo | Italy | mcstextile.it



THINK BEFORE YOU PRINT